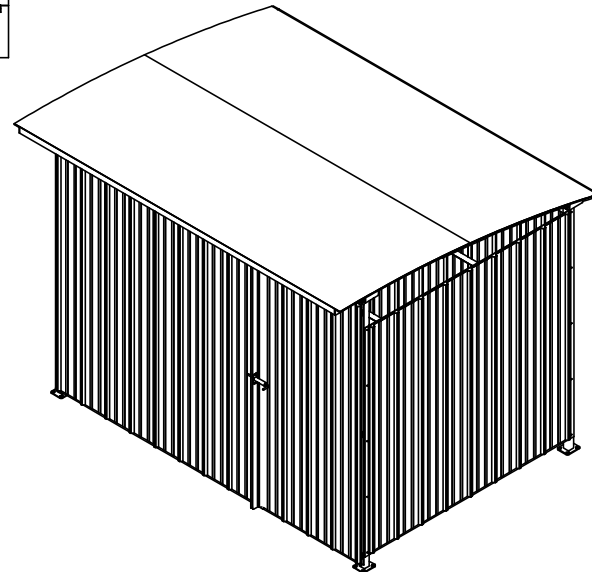
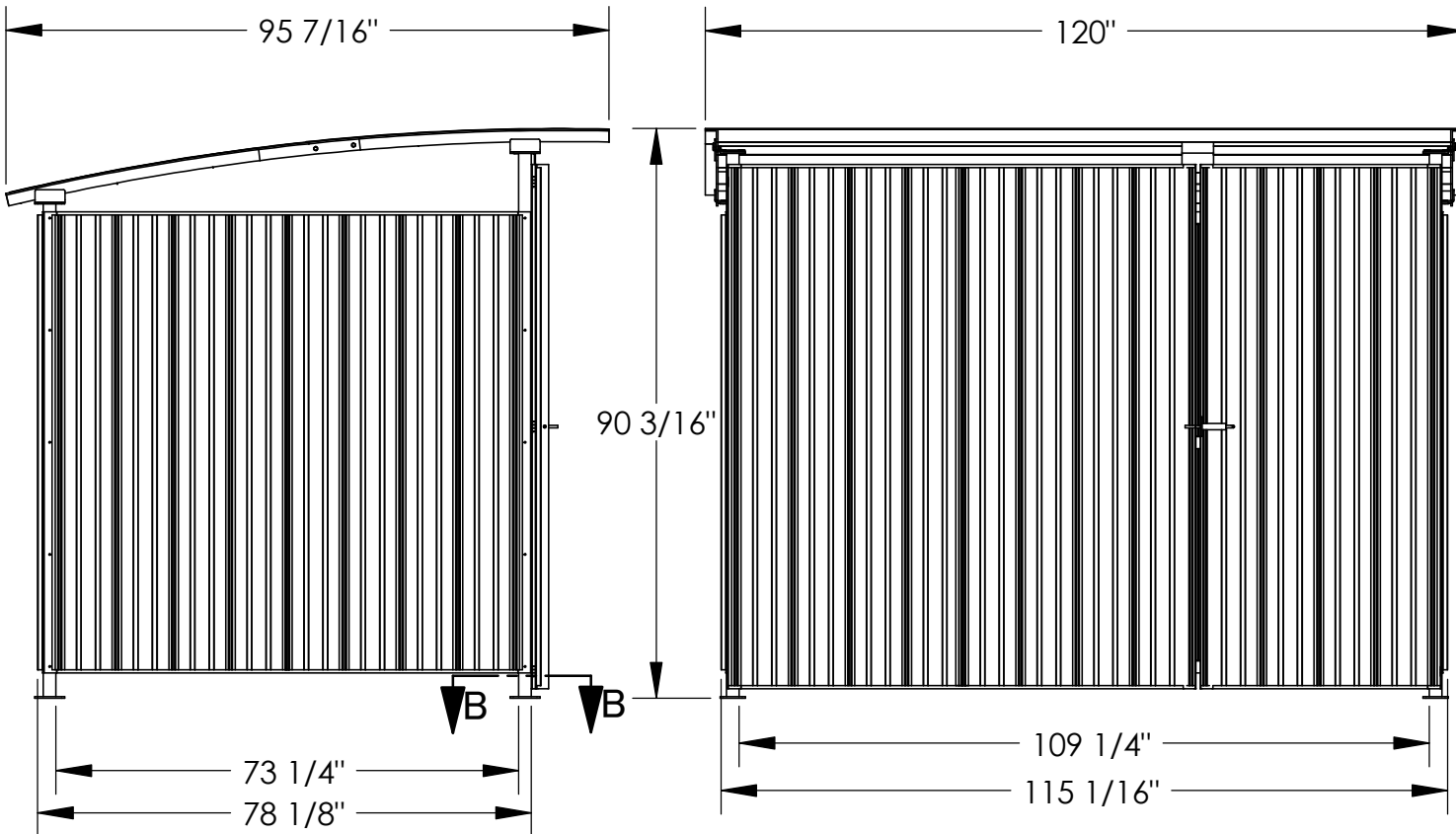


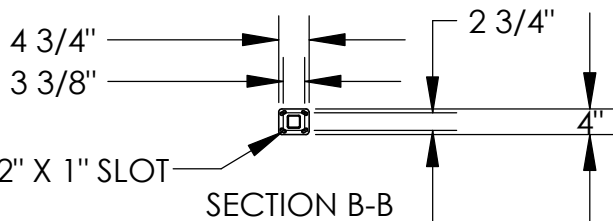
MULTI-DUTY STORAGE BUILDING - MDS-96-DR

APPROXIMATE WEIGHT IS: 811.98 lbs.

*** ANY ADDITIONS, DELETIONS, OR OMISSIONS MUST BE CORRECTED ON THIS DRAWING AS THIS DRAWING WILL BE CONSIDERED ALL INCLUSIVE ***
 ALL GRAPHICS PROVIDED ARE FOR REFERENCE ONLY. IF CERTAIN DIMENSIONS ARE CRITICAL PLEASE VERIFY THOSE DIMENSIONS WITH YOUR SALESPERSON



3D VIEW SHOWN FOR REFERENCE ONLY



A P P R O V A L	I, the undersigned, hereby approve this print. This includes my approval of design & dimensions	
	<input type="checkbox"/> As drawn	<input type="checkbox"/> As marked
	Signed: _____ Date: _____	
LEAD TIME WILL START UPON RECEIPT OF SIGNED APPROVAL DRAWING		

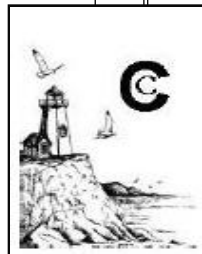
STANDARD FEATURES

- MODEL NUMBER IS MDS-96-DR
- OVERALL WIDTH IS 95 7/16"
- USABLE WIDTH IS 73 1/4"
- OVERALL LENGTH IS 120"
- USABLE LENGTH IS 109 1/4"
- OVERALL HEIGHT IS 90 3/16"

SPECIAL FEATURES

NONE

ALL SPECIAL UNITS ARE NON-RETURNABLE



Authorized Dealer/Distributor

Clegg Company, LLC
 1444 South Kelly Road
 Schenectady, New York 12306
 518-864-5396
 518-864-5474 fax